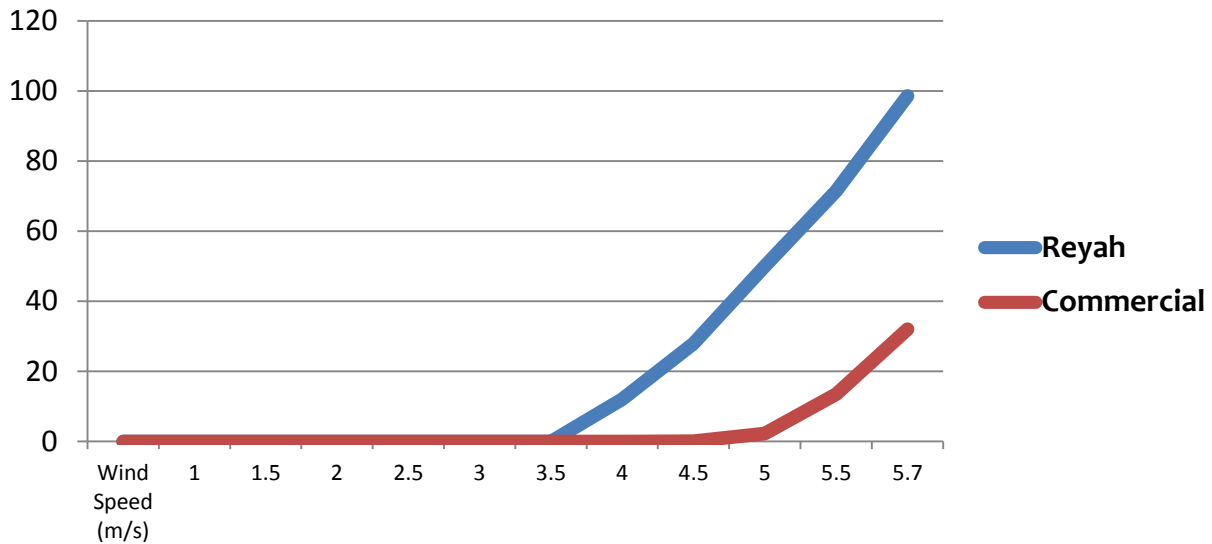


## Reyah -380

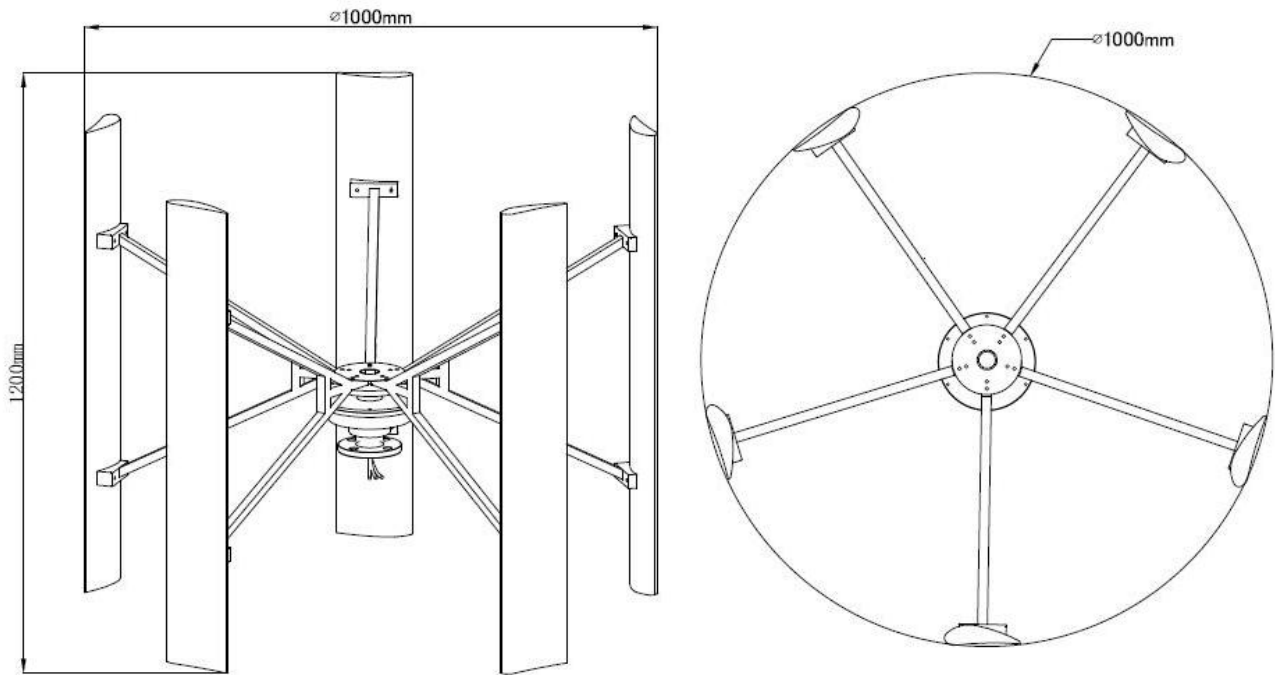


*Advanced version of the patented Reyah Wind Turbine*



**Reyah works efficiently at low wind speeds, where others don't**

*Technical Specifications*



Rotor Type	Vertical
Rated Power	380W
Rated Wind Speed	12m/s
Swept Area	1.2 m <sup>2</sup>
Blade height	1.2m
Rotor Diameter	1.0 m
Weight	35 kg
Startup Wind Speed	2m/s
Turbine Controller	Microprocessor-based smart internal regulator
Body	Galvanized steel & Cast aluminum with corrosion resistant paint
Rated rotational speed	280 rpm
Survival Wind Speed	125 km/h (35 m/s)
Generator Output Voltage	12V/24VDC